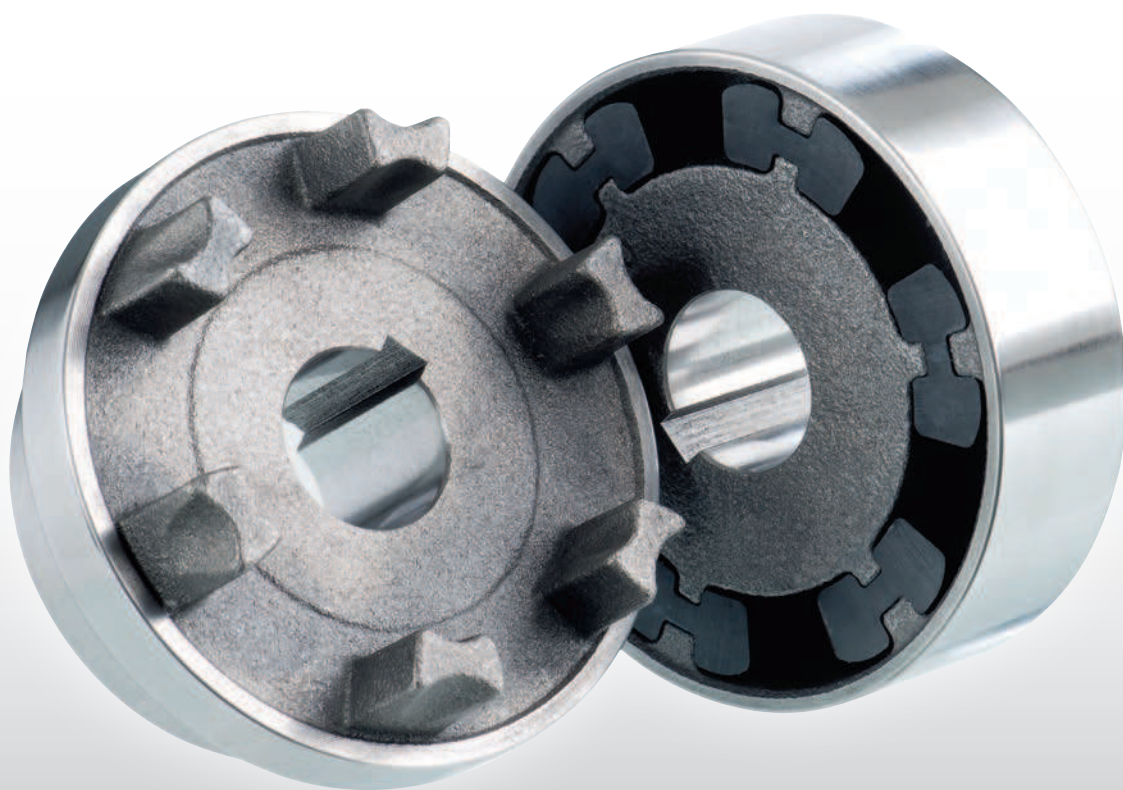


DESCH Pex Couplings



PX 12 - GB

Flexible DESCH Pex Couplings

The flexible DESCH Pex couplings are claw couplings with flexible elements to provide a torsionally flexible connection for shafts. The flexible elements excel in their wear resistance, ageing resistance and their temperature resistance from -30°C to $+80^{\circ}\text{C}$. Thanks to their flexibility, impacts, rotary vibrations and noises are effectively absorbed. The flexible elements are dimensioned such that radial, axial and angular movements between the two halves of the coupling are cancelled out. The flexible DESCH Pex couplings are of the plug-in type for installation and do not involve any particularly rigorous requirements with respect to alignment accuracy. The balancing quality is, in accordance with DIN-ISO 1940, in the quality range G 16. DESCH Pex couplings can be used in the whole of machine construction wherever a reliable shaft connection is needed between motor and machine.

Type B

The DESCH Pex type B coupling is fail-safe up to the fracture moment of the cast iron transmission cam and this provides maximum operational safety. The flexible elements can be supplied with hardness 80° shore A. With the fixed position of the flexible elements its deformability in axial direction is free, and so no damaging axial forces can act on the machine bearing even with alternating torque.

Type A

The DESCH Pex type A coupling is manufactured in three-piece design. With the two-piece coupling (type B) it is possible to install packages after axial displacement of the drive engines or machines. With the three-piece coupling it is possible to install packages without axial displacement of the drive engine or machine.

Selection

The torque of the machine T_{AN} is determined by:

$$T_{AN} [\text{Nm}] = 9550 \times \frac{P_{\text{Motor}} [\text{kW}]}{n [\text{rpm}]}$$

This torque T_{AN} multiplied by a safety factor „S“ depending on the application and the temperature factor S_T (see table page 5) gives the required nominal coupling torque T_{KN} .

$$\text{result: } T_{KN} \geq S \times S_T \times T_{AN}$$

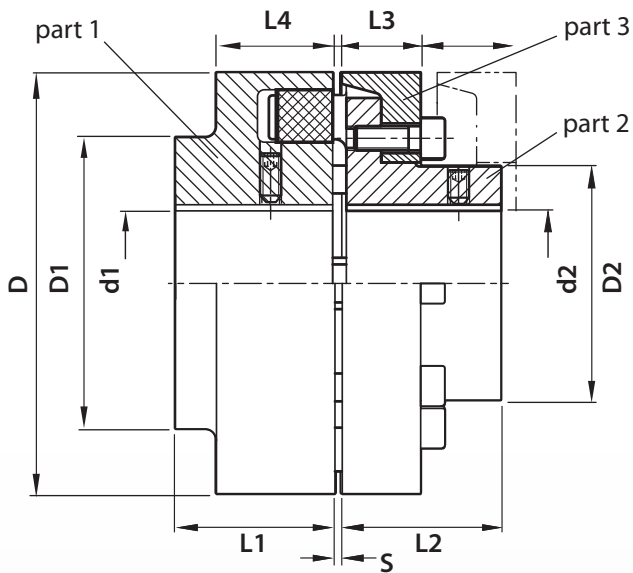
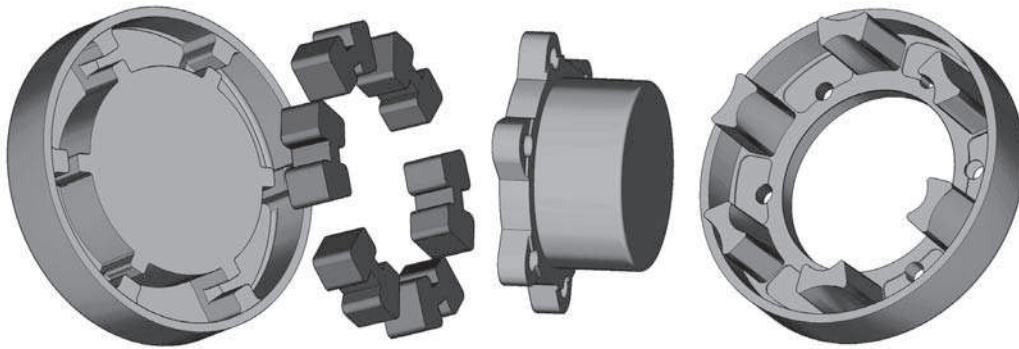
Wear indicator for DESCH Pex

The wear indicator for DESCH Pex couplings enables the condition of the flexible to be easily assessed. The wear condition can also be ascertained with the aid

of a stroboscope while the coupling is rotating. The production process can thus continue undisturbed. The wear indicator must be attached to the outside diameter of the coupling after the coupling has been fitted.



DESCH Pex – Type A



materials: coupling half EN-GJL-250
flexible elements NBR 80° Shore A

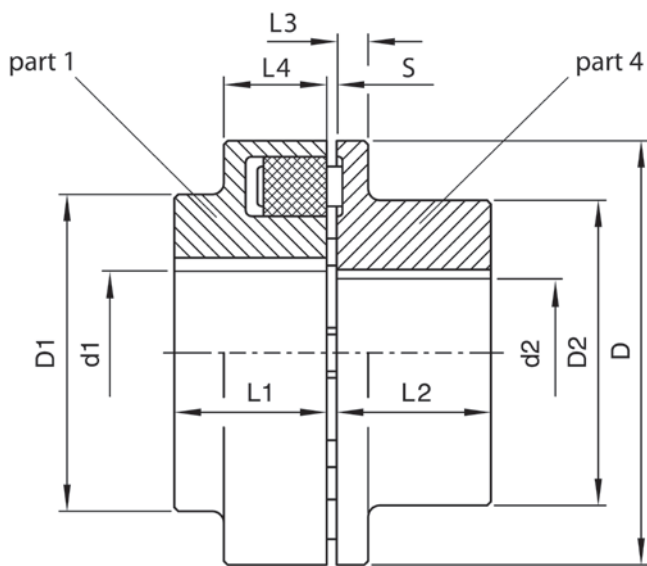
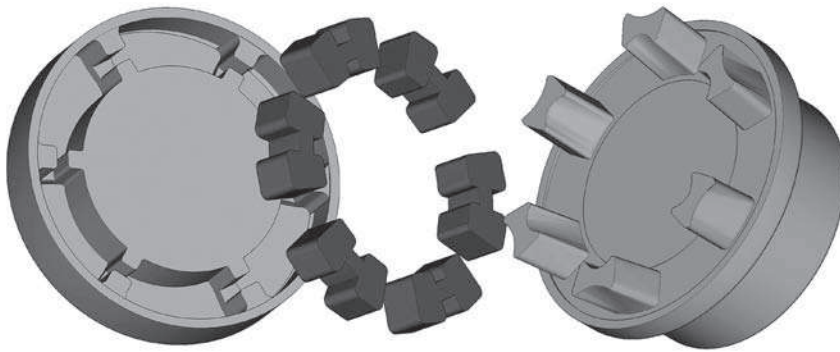
Type A

Size	Nominal torque Nm	Max. rotational speed rpm	Max. bore		D	L1	L2	D1	D2	L3	L4	S	Weight ¹⁾ kg			Moments of inertia ¹⁾ kgm ²	Max. shaft misalignment at rotational speed n = 1500 rpm ²⁾		
			d1	d2									Part 1	Part 2	Part 3		axiale ΔK _s mm	radiale ΔK _r mm	angular ΔK _w °
110	160	5300	48	38	110	40	40	86	62	20	34	3	1,95	1,38	1,97	0,003	0,2	0,2	0,1
125	240	5100	55	45	125	50	50	100	75	23	36	3	3,05	2,42	1,97	0,005	0,25	0,25	0,1
140	360	4900	60	50	140	55	55	100	82	28	34	3	3,65	3,04	2,5	0,008	0,25	0,25	0,1
160	560	4250	65	58	160	60	60	108	95	28	39	4	5,05	4,19	3,49	0,014	0,3	0,3	0,1
180	880	3800	75	65	180	70	70	125	108	30	42	4	7,8	5,94	4,41	0,025	0,3	0,3	0,1
200	1340	3400	85	75	200	80	80	140	122	32	47	4	11	8,61	6,02	0,04	0,3	0,3	0,09
225	2000	3000	90	85	225	90	90	150	136	38	52	4	15	12,06	8,93	0,08	0,35	0,35	0,09
250	2800	2750	100	95	250	100	100	165	155	42	60	6	19,5	17,41	11,7	0,13	0,35	0,35	0,08

1) The information concerning weights and moments of mass inertia apply for medium holes.

2) The values mentioned are valid for 1500 rpm and may occur only seperately. At multiple misalignments or higher speeds the values must be reduced.

DESCH Pex – Type B



materials: coupling half EN-GJL-250
flexible elements NBR 80° Shore A

Type B

Size	Nominal torque Nm	Max. rotational speed rpm	Max. bore		D	L1	L2	D1	D2	L3	L4	S	Weight ¹⁾ kg		Moments of inertia ¹⁾ kgm ²	Max. shaft misalignment at rotational speed n = 1500 rpm ²⁾		
			d1	d2									Part 1	Part 4		axiale ΔK_a mm	radiale ΔK_r mm	angular ΔK_w °
58	19	7500	19	24	58	20	20	–	40	8	20	3	0,24	0,28	0,0001	0,2	0,2	0,15
68	34	7000	24	28	68	20	20	–	50	8	20	3	0,32	0,45	0,0002	0,2	0,2	0,15
80	60	6000	30	38	80	30	30	–	68	10	30	3	0,75	0,94	0,0006	0,2	0,2	0,12
95	100	5500	42	42	95	35	35	76	76	12	30	3	1,3	1,55	0,0013	0,2	0,2	0,12
110	160	5300	48	48	110	40	40	86	86	14	34	3	1,95	2,25	0,003	0,2	0,2	0,1
125	240	5100	55	55	125	50	50	100	100	18	36	3	3,05	3,6	0,006	0,25	0,25	0,1
140	360	4900	60	60	140	55	55	100	100	20	34	3	3,65	4,5	0,007	0,25	0,25	0,1
160	560	4250	65	65	160	60	60	108	108	20	39	4	5,05	5,95	0,01	0,3	0,3	0,1
180	880	3800	75	75	180	70	70	125	125	20	42	4	7,8	8,5	0,02	0,3	0,3	0,1
200	1340	3400	85	85	200	80	80	140	140	24	47	4	11	12,4	0,04	0,3	0,3	0,09
225	2000	3000	90	90	225	90	90	150	150	18	52	4	15	15,5	0,07	0,35	0,35	0,09
250	2800	2750	100	100	250	100	100	165	165	18	60	6	19,5	19,5	0,12	0,35	0,35	0,08

1) The information concerning weights and moments of mass inertia apply for medium holes.

2) The values mentioned are valid for 1500 rpm and may occur only separately. At multiple misalignments or higher speeds the values must be reduced.

Safety factors "S"

Assignment of load characteristics according to type of working machine

DREDGERS	RUBBER MACHINERY	PUMPS
S Bucket conveyor	S Extruders	S Piston pumps
S Landing gear (caterpillar)	M Calenders	G Centrifugal pumps (light liquids)
M Landing gear (rail)	S Kneading mill	M Centrifugal pumps (viscous liquids)
M Manoeuvring winches	M Mixers	S Plunger pumps
M Pumps	S Rolling mills	S Press pumps
S Impellers		
S Cutter heads	WOOD WORKING MACHINES	STONE AND CLAY WORKING MACHINES
M Slewing gear	S Barkers	S Crusher
	M Planing machines	S Rotary ovens
GENERATORS, TRANSFORMERS	G Wood working machines	S Hammer mills
M Frequency transformers	S Saw frames	S Ball mills
M Generators		S Tube mills
M Welding generators		S Beater mills
	CRANES	S Brick presses
	G Luffing gear block	
CHEMICAL INDUSTRY	S Travelling gear	TEXTILE MACHINES
M Cooling drums	G Hoist gear	M Batchers
M Mixers	M Slewing gear	M Printing and dyeing machines
G Agitators (liquid material)	M Derricking jib gear	M Tanning vats
M Agitators (semi-liquid material)		M Willows
M Drying drums	PLASIC INDUSTRY MACHINES	M Looms
G Centrifuges (light)	M Extruders	
M Centrifuges (heavy)	M Calenders	COMPRESSORS
	M Mixers	S Piston compressors
OIL INDUSTRY	M Crushers	M Turbo compressors
M Pipeline pumps		
S Rotary drilling equipment	METAL WORKING MACHINES	METAL ROLLING MILLS
	M Plate bending machines	S Plate shears
CONVEYORS	S Plate straightening machines	M Manipulator for turning sheets
M Pit-head winches	S Hammers	S Ingot pushers
S Winding engines	S Metal planning machines	S Ingot and slabbing-mill train
M jointed-band conveyors	S Presses	S Ingot handling machinery
G Belt conveyors (bulk material)	M Shears	M Wire drawing benches
M Belt conveyors (piece goods)	S Forging presses	S Descaling machines
M Band pocket conveyors	S Punch presses	S Thin plate mills
M Chain conveyors	G Countershafts, line shafts	S Heavy and medium plate mills
M Circular conveyors	M Machine tools (main drives)	M Winding machines (strip and wire)
M Load elevators	G Machine tools (auxiliary drives)	S Cold rolling mills
G Bucket conveyors for flour		M Chain tractor
M Passenger lifts	FOOD INDUSTRY MACHINERY	S Billet shears
M Plate conveyors	G Bottling and container filling machines	M Cooling beds
M Screw conveyors	M Kneading machines	M Cross tractor
M Ballast elevators	M Mash tubs	M Roller tables (light)
S Inclined hoists	G Packaging machines	S Roller tables (heavy)
M Steel belt conveyors	M Cane crushers	M Roller straighteners
M Drag chain conveyors	M Cane cutters	S Tube welding machines
	S Cane mills	M Trimming shears
BLOWERS, VENTILATORS	M Sugar beet cutters	S Cropping shears
M Rotary piston blowers	M Sugar beet washing machines	S Continuous casting plant
G Blowers (axial/radial)		M Rollers adjustment drive
M Cooling tower fans	PAPER MACHINES	S Manipulators
M Induced draught fans	S Couches	
G Turbo blowers	S Glazing cylinders	LAUNDRIES
	M Pulper	M Tumblers
BUILDING MACHINERY	S Pulp grinders	M Washing machines
S Hoists	M Calenders	
G Concrete mixers	S Wet presses	WATER TREATMENT
S Road construction machinery	S Willows	M Aerators
	S Suction presses	M Screw pumps
	S Suction rolls	
	S Drying cylinders	

Operating factor "S"

Driving machines	Load characteristics of the working machine		
	G	M	S
Electric motors, turbines, hydraulic motors	1	1,25	1,75
Piston machines 4 – 6 cylinders	1,25	1,5	2
Piston machines 1 – 3 cylinders	1,5	2	2,5

Temperature factor "S_T"

θ [°C]	S _T
- 20 < θ < + 30	1,0
+ 30 < θ < + 40	1,2
+ 40 < θ < + 60	1,5
+ 60 < θ < + 80	1,8



DISTRIBUIDOR EN EXCLUSIVA

COLLVILARÓ S.A.

RODAMIENTOS, TRANSMISIÓN Y SISTEMAS DE ENGRASE

P.E. Granland - C/ Francesc Teixidó, 10
08918 BADALONA (Barcelona) SPAIN
T. +34 93 459 06 18 FAX +34 93 457 91 99
collvilaro@collvilaro.com - www.collvilaro.com